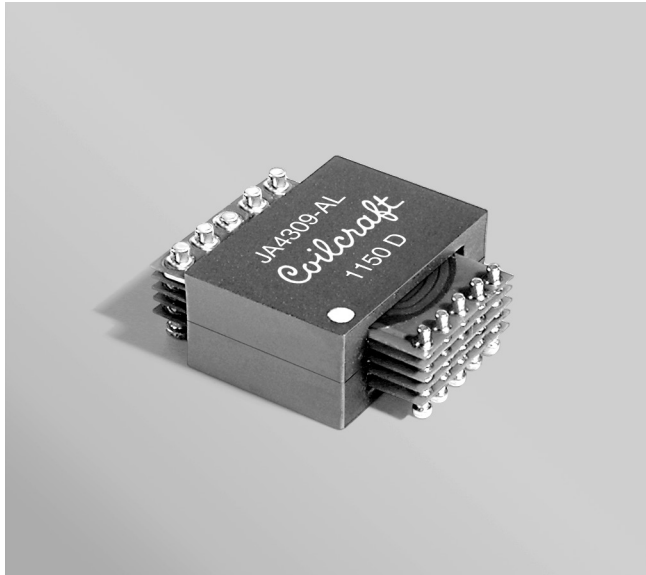


Planar Transformer

For TI UCC2897A Active
Clamp PWM Controller



- Developed for Texas Instruments PMP4804 and PMP5997 Demo Board/Reference Design
- Designed as active clamp in forward topology
- Auxiliary winding provides current to the chipset
- Input voltage range: 36 – 75 V

Core material Ferrite

Terminations RoHS matte tin over nickel over brass. Other terminations available at additional cost.

Weight 11.6 g

Ambient temperature –40°C to +85°C

Storage temperature Component: –40°C to +85°C.

Tape and reel packaging: –40°C to +80°C

Resistance to soldering heat Max three 40 second reflows at +260°C, parts cooled to room temperature between cycles

Moisture Sensitivity Level (MSL) 1 (unlimited floor life at <30°C / 85% relative humidity)

Packaging 200 per 13" reel Plastic tape: 44 mm wide, 0.37 mm thick, 32 mm pocket spacing, 9.35 mm pocket depth

PCB washing Tested with pure water or alcohol only. For other solvents, see Doc787_PCB_Washing.pdf

Part number ¹	Output power (W)	Output voltage nom (V)	Output current (A _{dc})	Primary inductance ² min (μH)	Leakage inductance ³ max (μH)	DCR max ⁴ (mΩ)	Turns ratio			Pri/sec Isolation (V _{dc})
							pri	sec1	sec2 : aux	
JA4309-AL_	100	3.3	30	67.5	0.35	pri: 20.0 sec: 0.5 aux: 160	6 : 1	1 : 4	1500	

1. When ordering, please specify a **packaging** code:

JA4309-ALD

Packaging: **D** = 13" machine ready reel. EIA-481 embossed plastic tape (200 per full reel). Quantities less than full reel available: in tape (not machine ready) or with leader and trailer (\$25 charge).

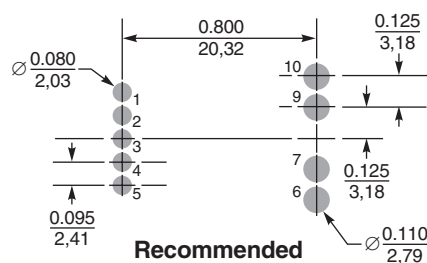
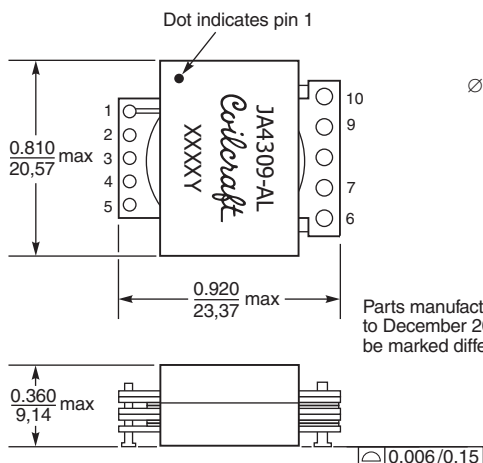
B = Less than full reel. In an effort to simplify our part numbering system, Coilcraft is eliminating the need for multiple packaging codes. When ordering, simply change the last letter of your part number from B to D.

2. Inductance measured on an Agilent/HP 4284 between pins 2 and 4 at 200 kHz, 0.1 V_{rms}, 0 A_{dc}.

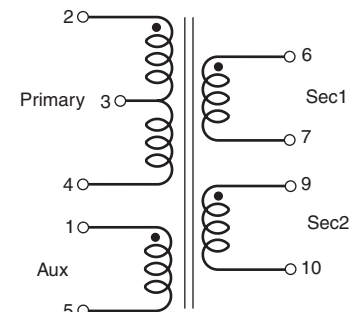
3. Leakage inductance measured between pins 2 and 4 at 100 kHz, 0.1 V_{rms}, 0 A_{dc} with all secondary pins shorted.

4. DCR for the secondary is for each winding.

5. Electrical specifications at 25°C.



Dimensions are in $\frac{\text{inches}}{\text{mm}}$



Coilcraft
www.coilcraft.com

US +1-847-639-6400 sales@coilcraft.com
UK +44-1236-730595 sales@coilcraft-europe.com
Taiwan +886-2-2264 3646 sales@coilcraft.com.tw
China +86-21-6218 8074 sales@coilcraft.com.cn
Singapore + 65-6484 8412 sales@coilcraft.com.sg

Document 900 Revised 12/16/11

© Coilcraft Inc. 2021

This product may not be used in medical or high risk applications without prior Coilcraft approval. Specification subject to change without notice. Please check web site for latest information.