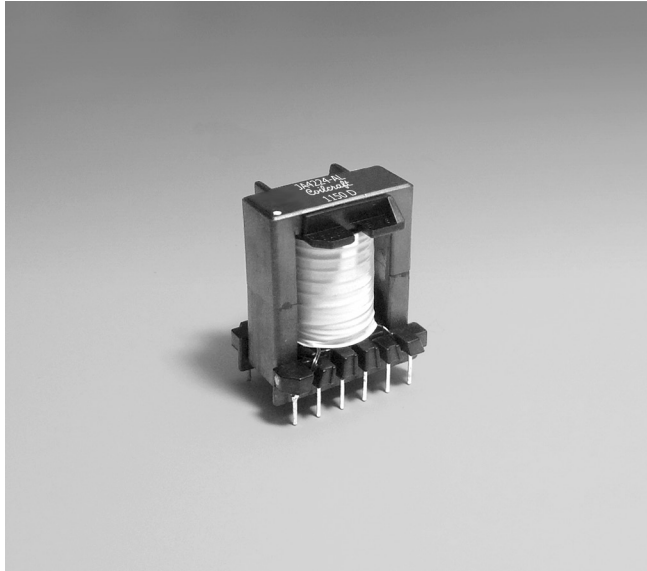




PFC Boost Inductor

For ON Semiconductor
NCP1607 and NCP1608
PFC Controllers



- Designed to operate in 100 Watt applications.
- Referenced as L_{BOOST} in application notes AND8353/D and AND8396/D.
- Auxiliary winding provides zero current detection (ZCD) information and can also supply power to the chipset.
- 1000 Vrms winding to winding isolation

Core material Ferrite

Terminations RoHS compliant tin-silver over tin over copper over copper-steel

Weight 45.6 g

Ambient temperature -40°C to +85°C with I_{rms} current, +85°C to +125°C with derated current

Storage temperature Component: -40°C to +85°C.
Tray packaging: -40°C to +80°C

Moisture Sensitivity Level (MSL) 1 (unlimited floor life at <30°C / 85% relative humidity)

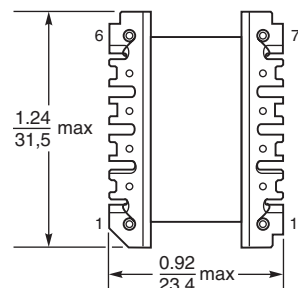
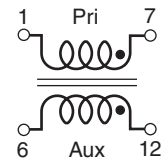
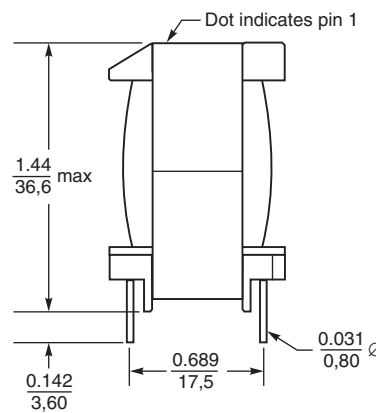
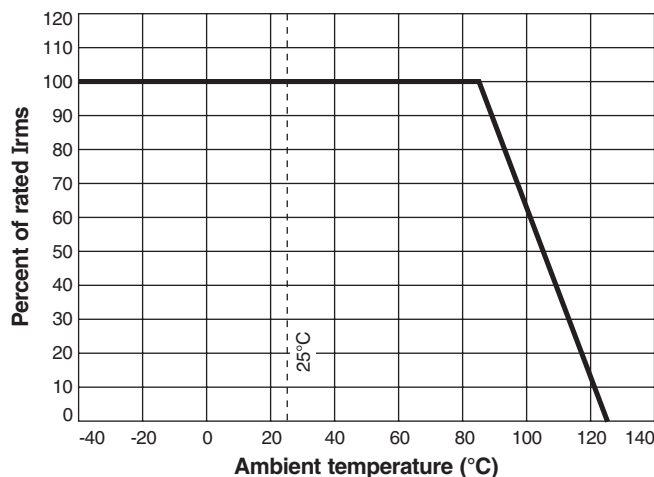
Packaging 120 parts per tray

PCB washing Tested with pure water or alcohol only. For other solvents, see Doc787_PCB_Washing.pdf.

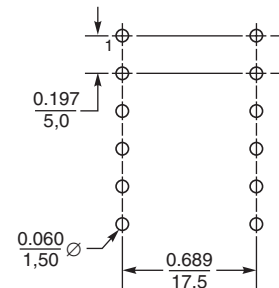
Part number	Inductance ¹ ±10% (µH)	Inductance at I _{pk} min (µH)	I _{pk} (A)	DCR max (Ohms) ²		Leakage inductance ³ max (µH)	Turns ratio pri : aux	I _{rms} (A) ⁴	
				pri (1-7)	aux (6-12)			20°C rise	40°C rise
JA4224-AL	400	380	4.0	0.29	0.38	115	10 : 1	1.7	2.8

1. Inductance measured at 100 kHz, 0.1 V, 0 Adc using an Agilent/HP 4284A impedance analyzer or equivalent.
2. DCR measured on Cambridge Technology micro-ohmmeter.
3. Leakage inductance is for the primary and measured with pins 6 and 12 shorted.
4. Current that causes a 40°C temperature rise from 25°C ambient.
5. Electrical specifications at 25°C.

I_{rms} Derating



Recommended PC Board Layout



Dimensions are in $\frac{\text{inches}}{\text{mm}}$



US +1-847-639-6400 sales@coilcraft.com
UK +44-1236-730595 sales@coilcraft-europe.com
Taiwan +886-2-2264 3646 sales@coilcraft.com.tw
China +86-21-6218 8074 sales@coilcraft.com.cn
Singapore + 65-6484 8412 sales@coilcraft.com.sg

Document 737 Revised 12/21/21
 © Coilcraft Inc. 2021
 This product may not be used in medical or high risk applications without prior Coilcraft approval. Specification subject to change without notice. Please check web site for latest information.