

# SMT Flyback Transformer

for ON Semiconductor  
NCP1030



This flyback transformer was developed specifically for ON Semiconductor's isolated 2 W Bias Supply using the NCP1030, and is specified in Application Note AND8119/D. It is ideal for 48 V telecom power supply and Power Over Ethernet (PoE) applications.

It features interleaved primary and secondary windings to minimize leakage inductance. It is designed for 35–76 V input. Isolation (hipot) is 1500 Vrms, one minute between the primary and secondary windings and 750 Vrms between windings and the core.

To request free evaluation samples, contact Coilcraft or visit [www.coilcraft.com](http://www.coilcraft.com).

**Core material** Ferrite

**Terminations** RoHS tin-silver (96.5/3.5) over tin over nickel over phos bronze.

**Weight** 0.96 g

**Ambient temperature** –40°C to +85°C

**Maximum part temperature** +125°C (ambient + temp rise)

**Storage temperature** Component: –40°C to +85°C.

Tape and reel packaging: –40°C to +80°C

**Resistance to soldering heat** Max three 40 second reflows at +260°C, parts cooled to room temperature between cycles

**Moisture Sensitivity Level (MSL)** 1 (unlimited floor life at <30°C / 85% relative humidity)

**Packaging** 600 per 13" reel Plastic tape: 24 mm wide, 0.37 mm thick, 16 mm pocket spacing, 6.1 mm pocket depth

**PCB washing** Tested with pure water or alcohol only. For other solvents, see Doc787\_PCB\_Washing.pdf.

Part number <sup>1</sup>	Inductance at 0 Adc <sup>2</sup> ±10% (µH)	Inductance at Ipk <sup>3</sup> min (µH)	DCR max (Ohms)	Leakage Inductance <sup>4</sup> max (µH)	Turns ratio		Ipk <sup>3</sup> (mA)
					pri : sec (7-8)	pri : sec (5-6)	
B0226-EL_	120	102	0.655 (pins 1–4) 0.820 (pins 2–3) 0.248 (pins 7–8) 0.248 (pins 5–6)	0.95	1:0.36	1:0.36	400

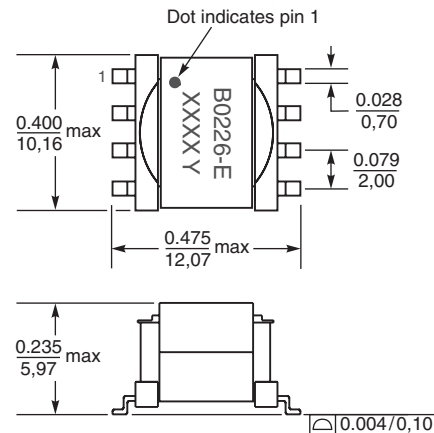
1. When ordering, specify a **packaging** code:

**B0226-ELD**

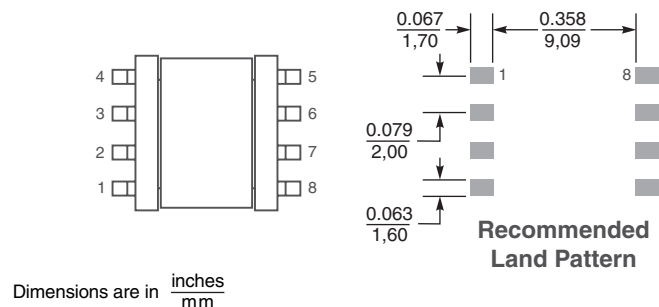
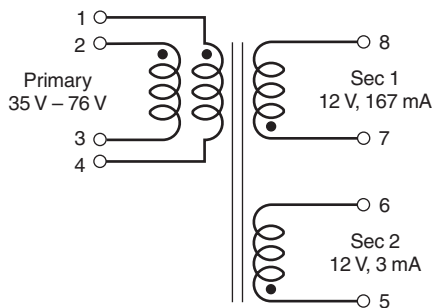
**Packaging:** D = 13" machine ready reel. EIA-481 embossed plastic tape (600 per full reel). Quantities less than full reel available: in tape (not machine ready) or with leader and trailer (\$25 charge).

B = Less than full reel. In an effort to simplify our part numbering system, Coilcraft is eliminating the need for multiple packaging codes. When ordering, simply change the last letter of your part number from B to D.

- Inductance is for the primary, measured at 275 kHz, 0.5 Vrms.
  - Peak primary current drawn at minimum input voltage.
  - Leakage inductance is for the primary winding with the secondary windings shorted.
  - Operating temperature range –40°C to +85°C.
  - Electrical specifications at 25°C.
- Refer to Doc 362 "Soldering Surface Mount Components" before soldering.



Parts manufactured prior to December 2011 may be marked differently.



Dimensions are in  $\frac{\text{inches}}{\text{mm}}$