

Power over coax (PoC) filter solution for automotive application

SMD-POC-041F

Date:- 12th November, 2019

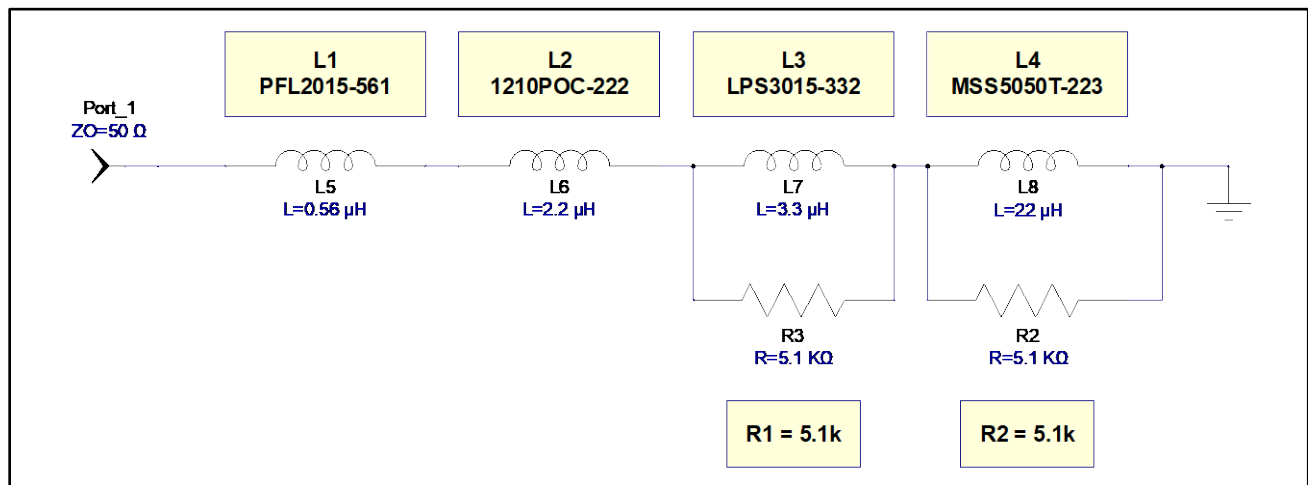
Overview:

Following application is designed to cover the frequency range from 8 MHz to 3 GHz for an impedance of 1k Ω , and 1A max current. The measurement of S-parameters are done on complete POC system in which two solution boards are connected through Leoni Decar-302 automotive cable with different lengths . In complete POC system, different currents up to max rating of the current are injected to get S-parameters under different loads.

Coilcraft Solution:

Inductors	DCR (Ohms)	Max area (mm ²)	Current (A)		Notes
			I _{rms}	I _{sat} (30%)	
PFL2015-561 (0.56uH)	0.070	3.19	1.80 (40C rise)	1.900	5.1k resistor in parallel 5.1k resistor in parallel
1210POC-222 (2.2uH)	0.140	8.811	1.65 (40C rise)	2.000	
LPS3015-332 (3.3uH)	0.130	9.157	1.40 (40C rise)	1.500	
MSS5050T-223 (22uH)	0.140	28.62	1.65 (40C rise)	1.400	
Total	0.48	50			

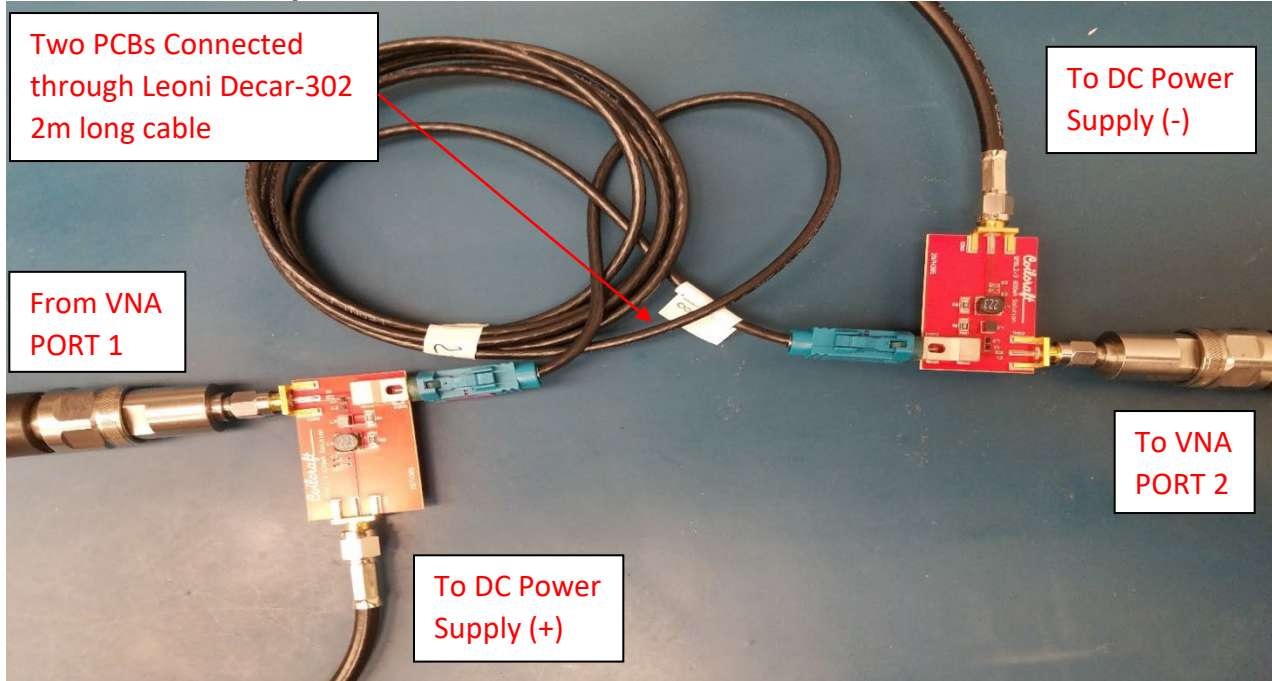
Schematic:



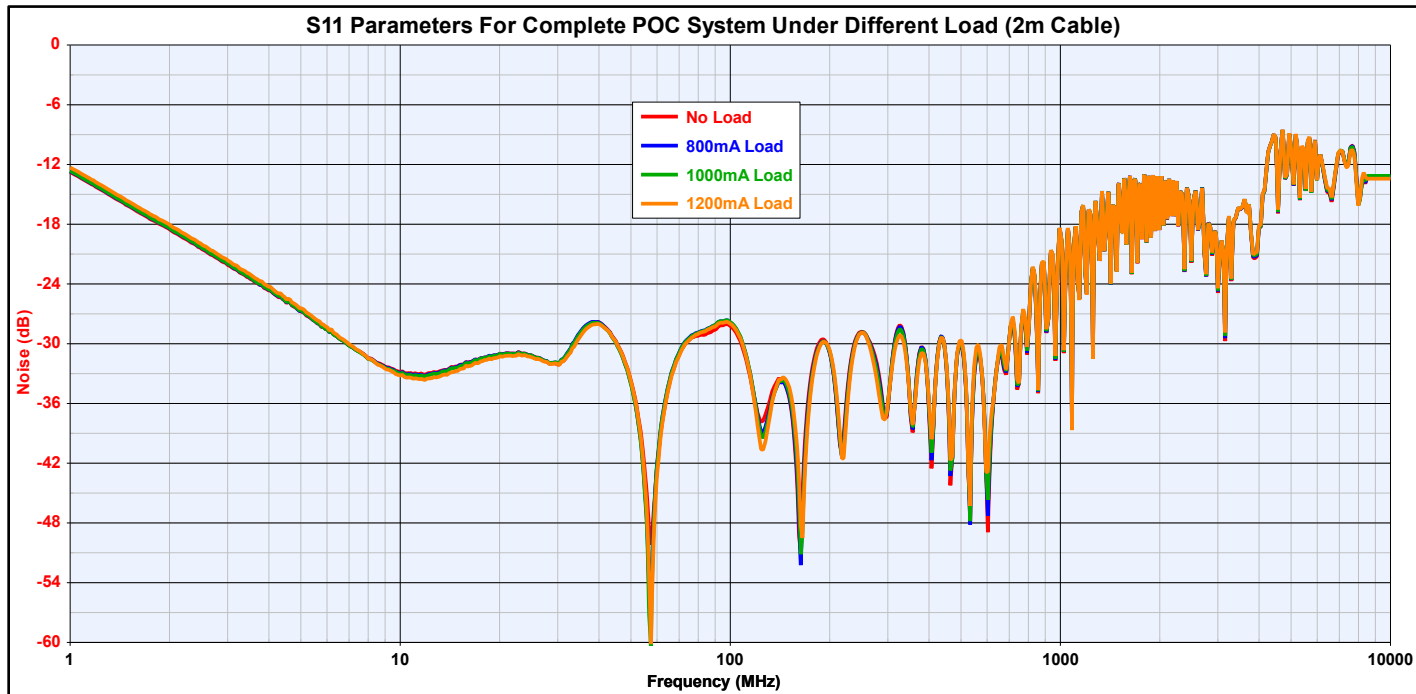
Coilcraft Complete POC System S-Parameters Measurements:-

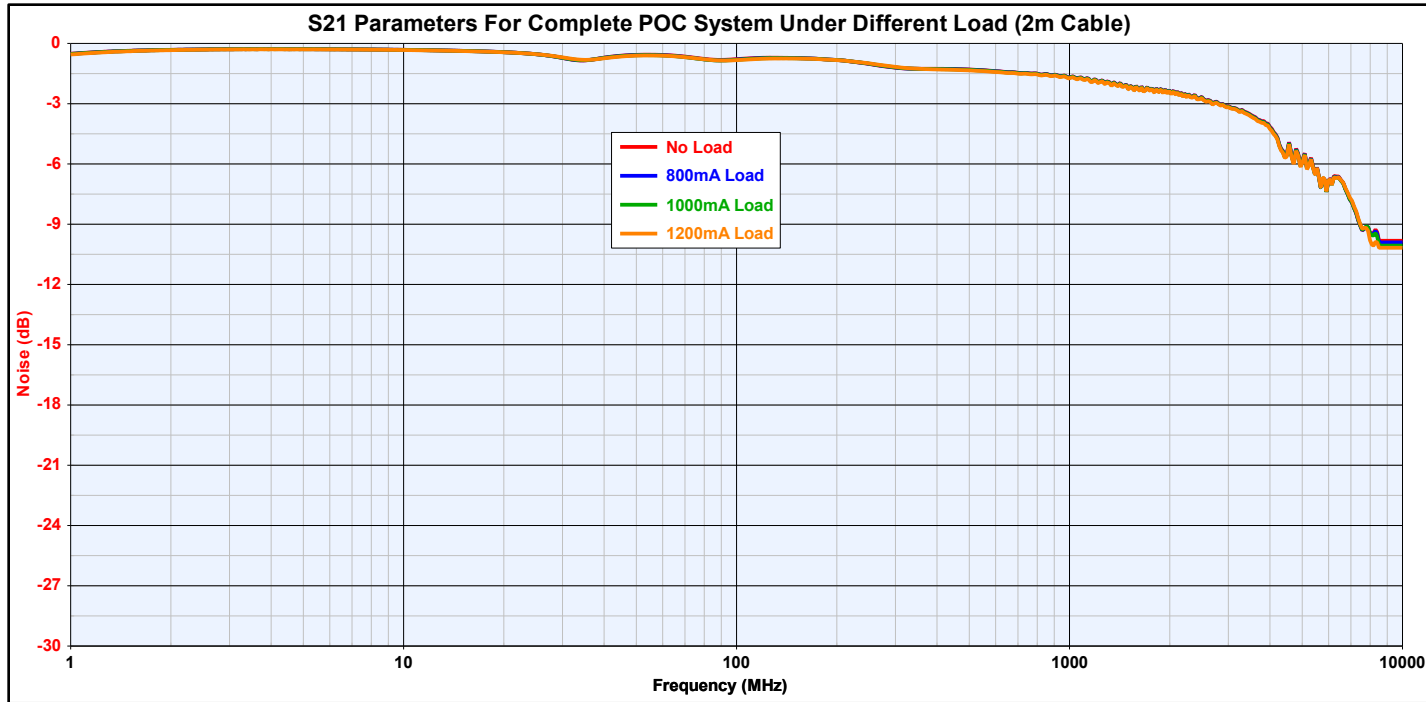
2m length of Leoni decar-302 automotive cable was used to connect two PCBs. Below measurement setup picture is just for illustration may not represent actual boards.

Measurement Setup:-



Performance:

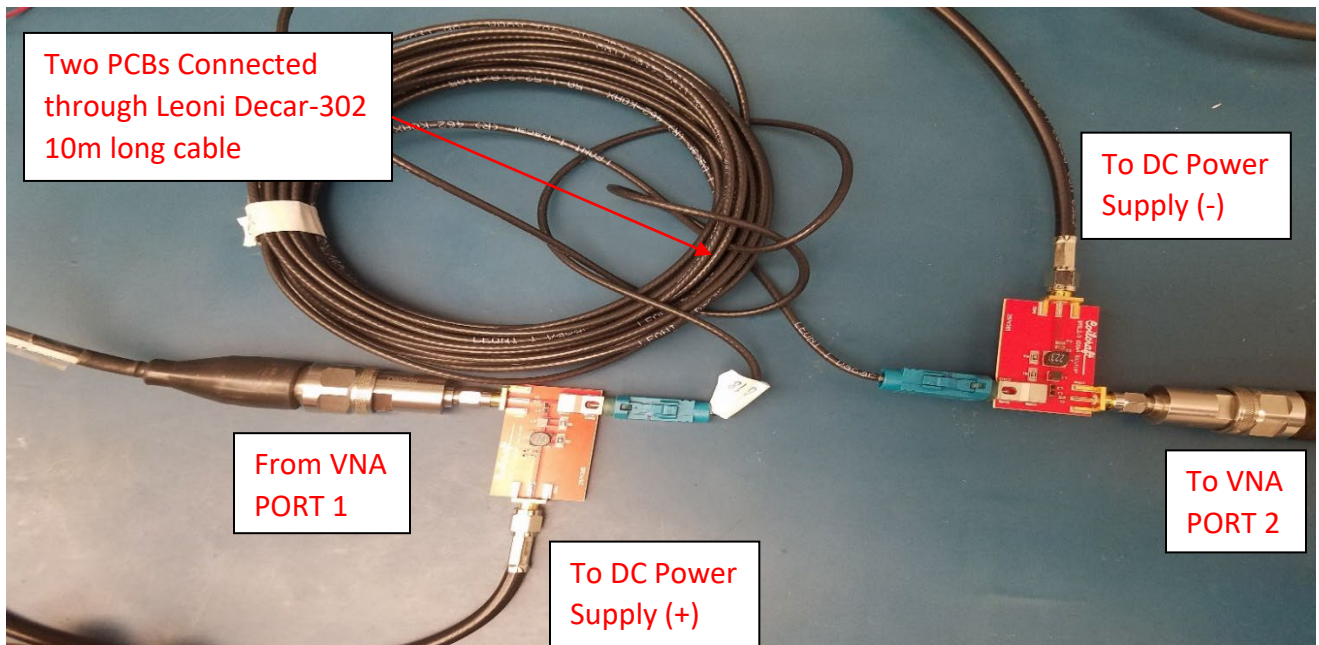




Coilcraft Complete POC System S-Parameters Measurements:-

10m length of Leoni decar-302 automotive cable was used to connect two PCBs. Below measurement setup picture is just for illustration may not represent actual boards.

Measurement Setup:-



Performance:

