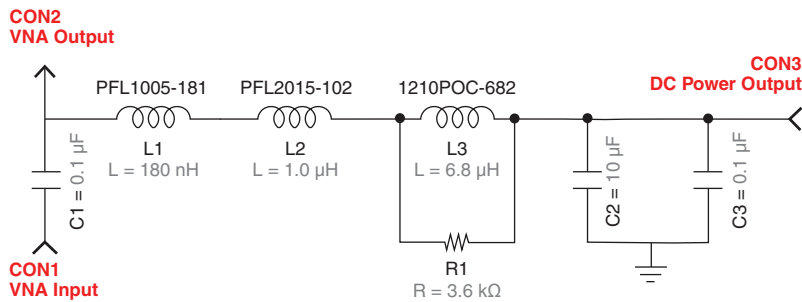


# PoC Filter Solution – SMD-POC-077

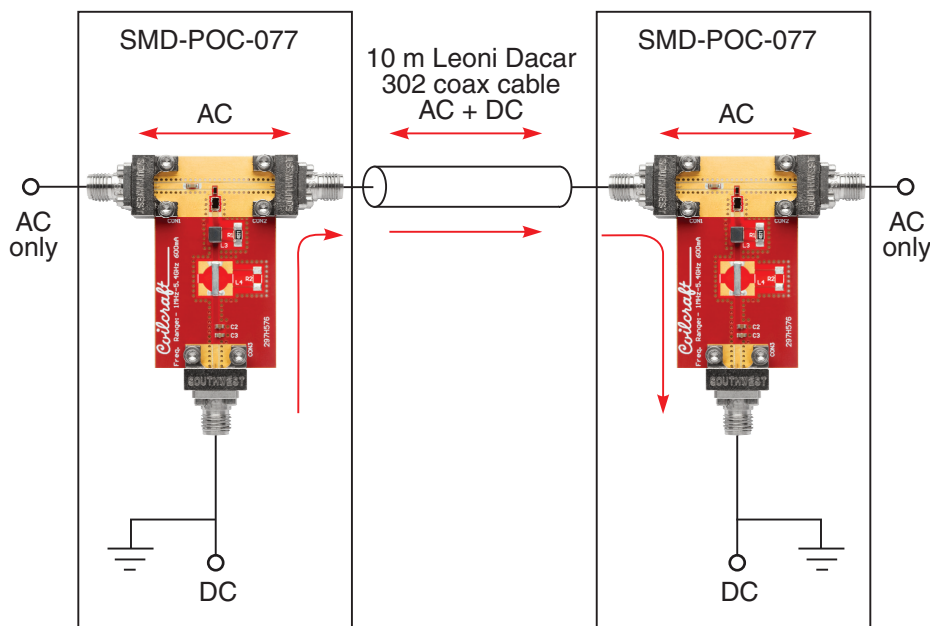
- PoC solution for 10 MHz – 5.4 GHz applications
- Designed specifically for 4, 6, and 10.8 Gbps chipsets
- 125°C ambient applications: 600 mA
- 105°C ambient applications: 700 mA
- 85°C ambient applications: 800 mA

Inductors	DCR max. (Ohms)	Max. Area (mm <sup>2</sup> )	Isat (A) 30%				Irms (A)			
			25°C	85°C	105°C	125°C	25°C	85°C	105°C	125°C
PFL1005-181 (0.18 uH)	0.21	0.72	1.10	0.80	0.71	0.61	1.20	1.15	0.88	0.66
PFL2015-102 (1.0 uH)	0.13	3.19	1.40	1.10	0.95	0.84	1.20	1.10	0.92	0.65
1210POC-682 (6.8 uH)	0.24	8.81	1.40	1.00	0.93	0.80	1.36	1.23	0.94	0.80
<b>Totals:</b>	<b>0.58</b>	<b>12.72</b>								

## Schematic



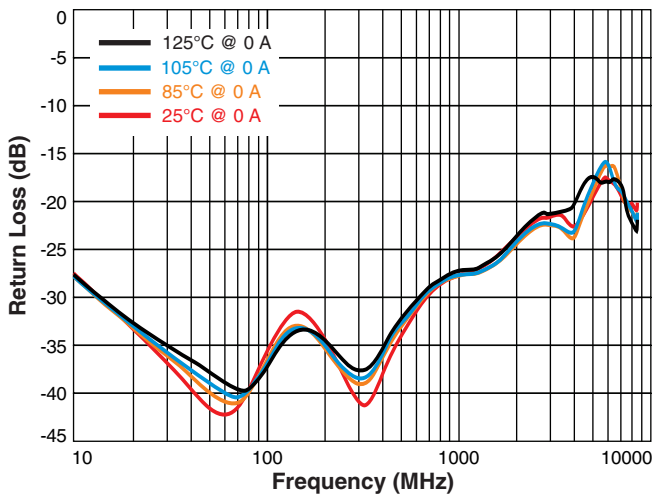
## Total Channel Test Setup



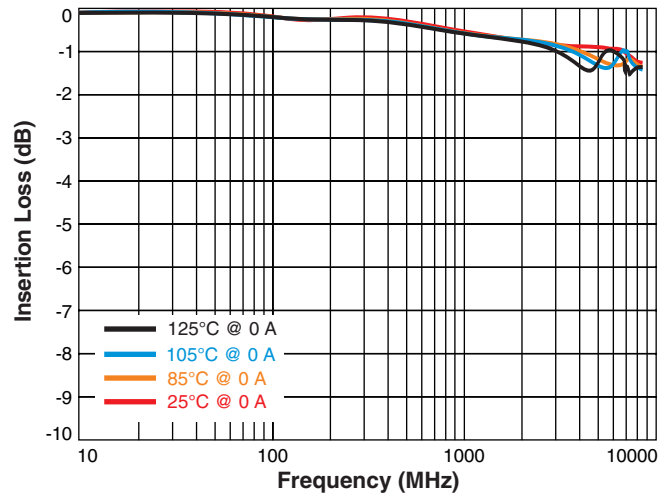
\* Solutions measured in a total channel configuration. 2 PCB's with PoC filters on each with a 10 m Leoni Dacar 302 cable interconnect.

# PoC Filter Solution – SMD-POC-077

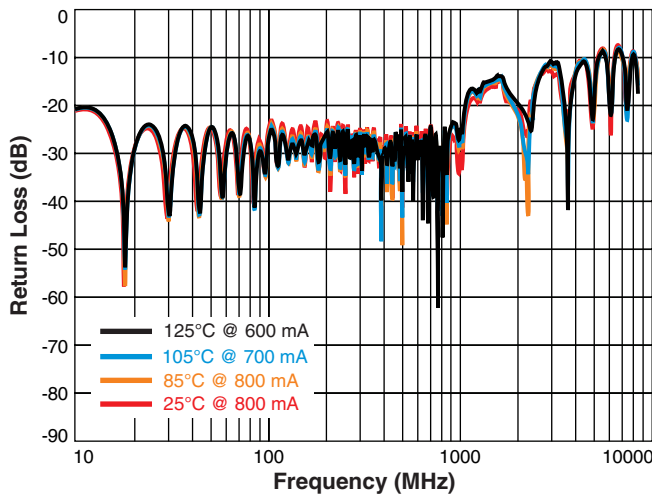
**Return Loss (S11, Single board no current)**



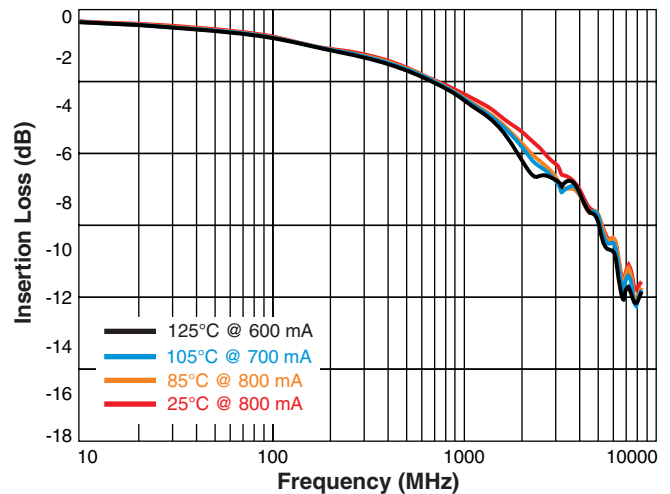
**Insertion Loss (S21, Single board no current)**



**Return Loss (S11, Total Channel Measurements\*)**



**Insertion Loss (S21, Total Channel Measurements\*)**



\* Solutions measured in a total channel configuration. 2 PCB's with PoC filters on each with a 10 m Leoni Dacar 302 cable interconnect.

**COILCRAFT CONFIDENTIAL**