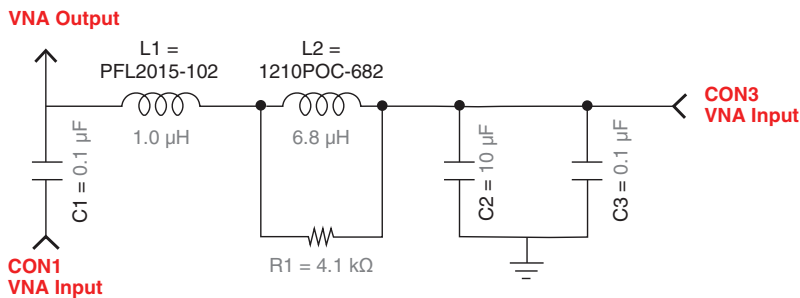


PoC Filter Solution – SMD-POC-087

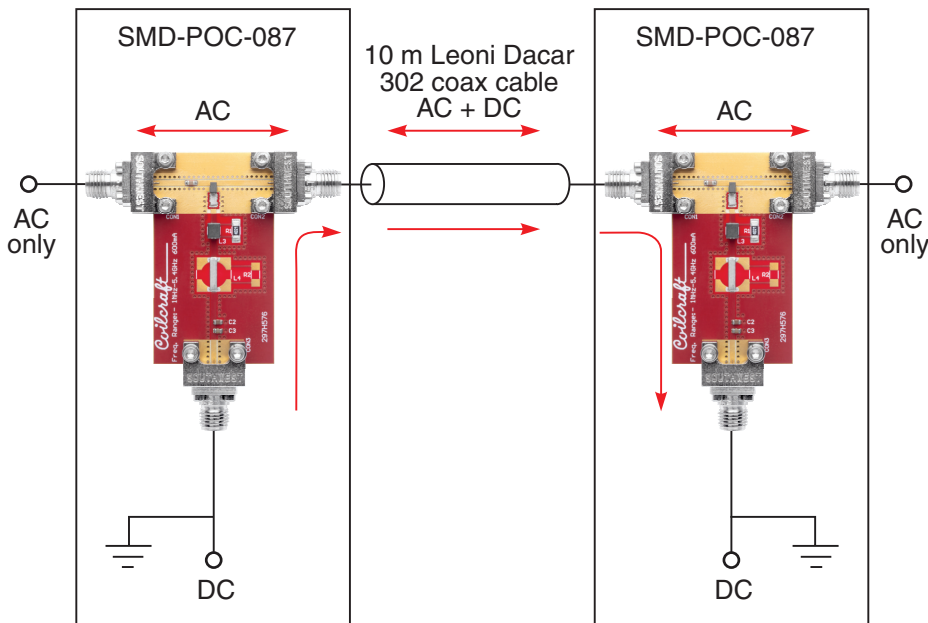
- PoC solution for 10 MHz – 5 GHz applications
- Designed specifically for 4 and 6 Gbps chipsets
- Only 12 mm² of board space
- 125°C ambient applications: 650 mA
- 105°C ambient applications: 900 mA
- 85°C ambient applications: 1000 mA

Inductors	DCR max. (Ohms)	Max. Area (mm ²)	Isat (A) 30%				Irms (A)			
			25°C	85°C	105°C	125°C	25°C	85°C	105°C	125°C
PFL2015-102 (1.0 uH)	0.13	3.19	1.4	1.1	0.95	0.84	1.2	1.1	0.92	0.65
1210POC-682 (6.8 uH)	0.24	8.81	1.4	1.0	0.93	0.80	1.36	1.23	0.94	0.80
Totals:	0.37	12.00								

Schematic



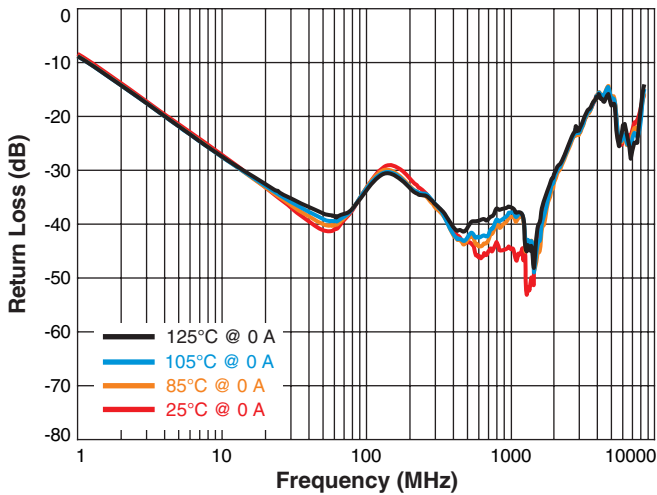
Total Channel Test Setup



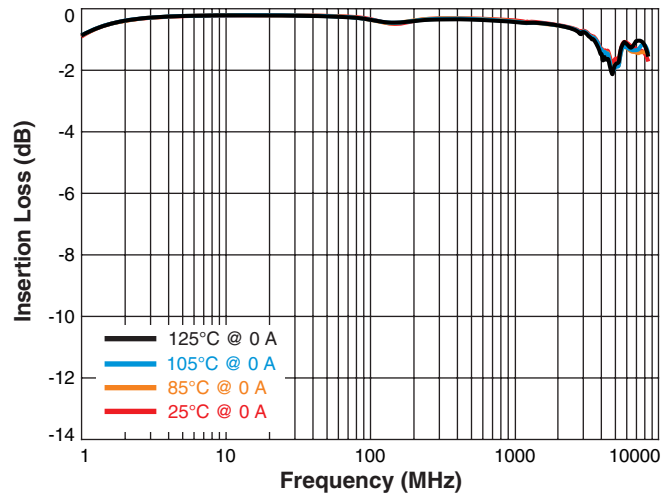
* Solutions measured in a total channel configuration. 2 PCB's with PoC filters on each with a 10 m Leoni Dacar 302 cable interconnect.

PoC Filter Solution – SMD-POC-087

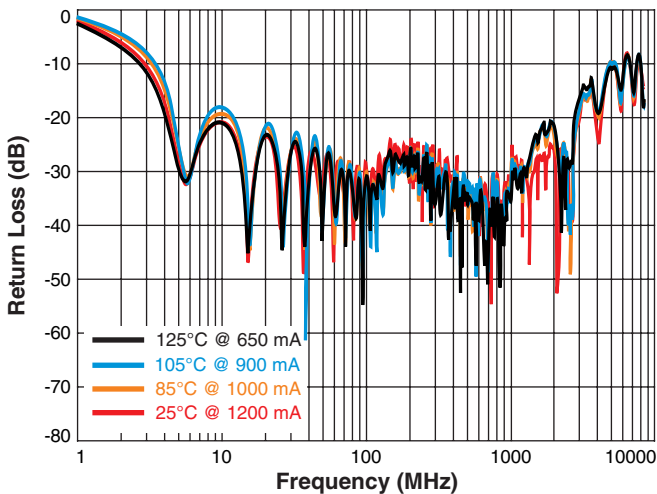
Return Loss (S11, Single board no current)



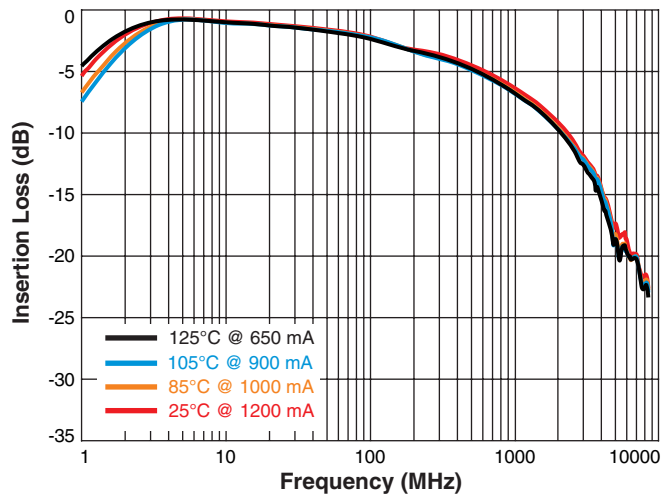
Insertion Loss (S21, Single board no current)



Return Loss (S11, Total Channel Measurements*)



Insertion Loss (S21, Total Channel Measurements*)



* Solutions measured in a total channel configuration. 2 PCB's with PoC filters on each with a 10 m Leoni Dacar 302 cable interconnect.

COILCRAFT CONFIDENTIAL