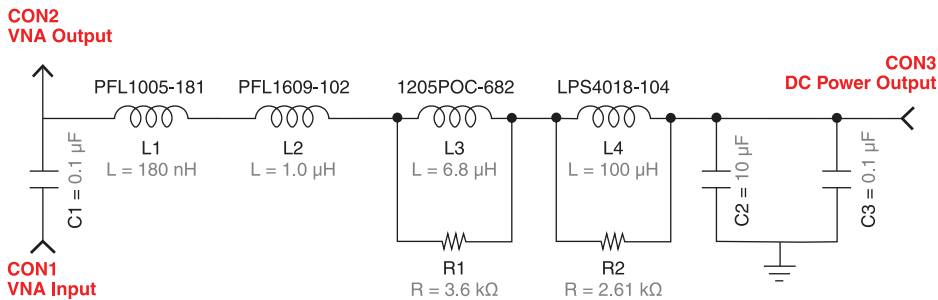


PoC Filter Solution – SMD-POC-067

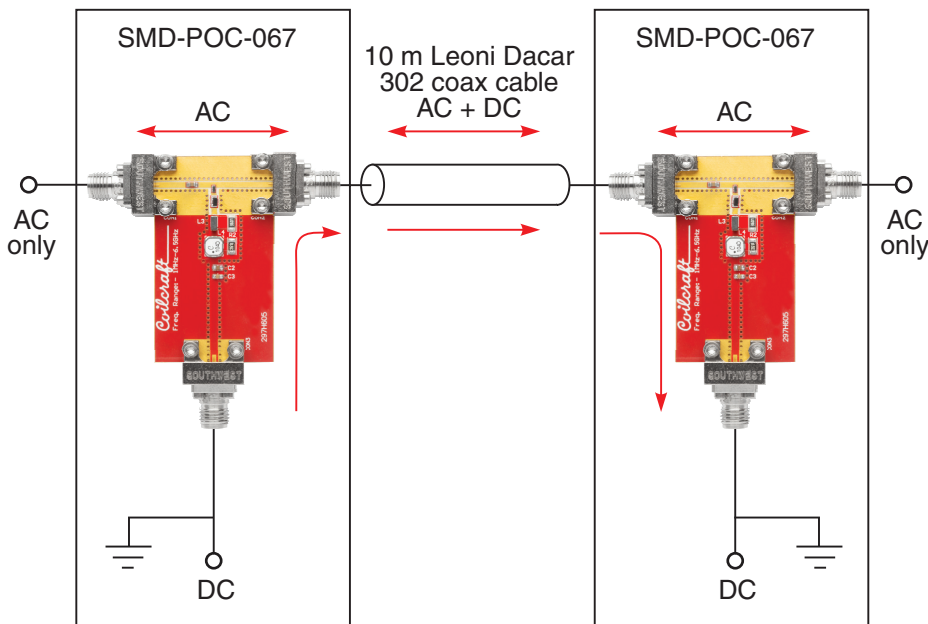
- PoC solution for 1 MHz – 5.4 GHz applications
- Designed specifically 10.8 Gbps chipsets
- 125°C ambient applications: 300 mA
- 105°C ambient applications: 300 mA
- 85°C ambient applications: 300 mA

Inductors	DCR max. (Ohms)	Max. Area (mm ²)	Isat (A) 30%				Irms (A)			
			25°C	85°C	105°C	125°C	25°C	85°C	105°C	125°C
PFL1005-181 (0.18 uH)	0.21	0.72	1.10	0.80	0.71	0.61	1.20	1.15	0.88	0.66
PFL1609-102 (1.0 uH)	0.23	1.93	0.76	0.59	0.53	0.47	0.85	0.83	0.64	0.48
1205POC-682 (6.8 uH)	0.51	4.48	0.67	0.64	0.58	0.52	0.88	0.80	0.61	0.46
LPS4018-104 (100 uH)	1.40	15.8	0.37	0.31	0.30	0.28	0.50	0.45	0.44	0.43
Totals:	2.35	22.93								

Schematic



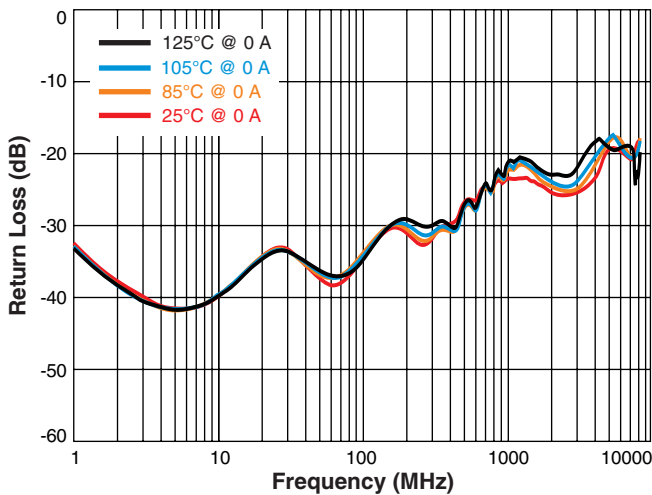
Total Channel Test Setup



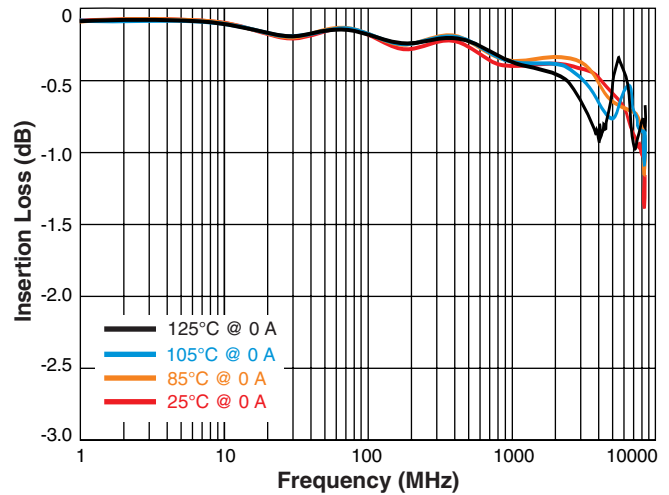
* Solutions measured in a total channel configuration. 2 PCB's with PoC filters on each with a 10 m Leoni Dacar 302 cable interconnect.

PoC Filter Solution – SMD-POC-067

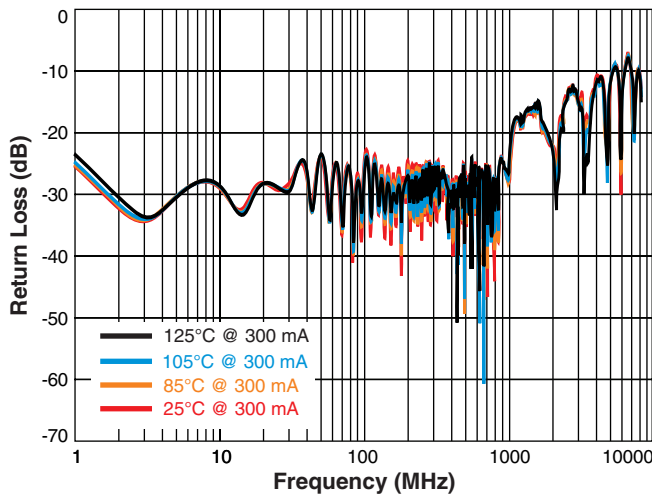
Return Loss (S11, Single board no current)



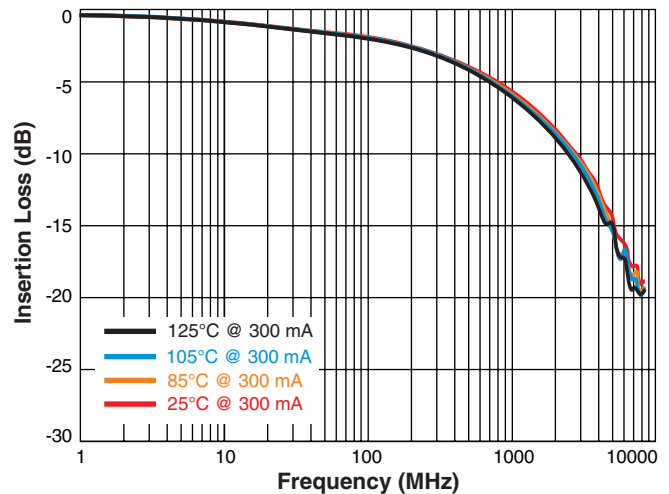
Insertion Loss (S21, Single board no current)



Return Loss (S11, Total Channel Measurements*)



Insertion Loss (S21, Total Channel Measurements*)



* Solutions measured in a total channel configuration. 2 PCB's with PoC filters on each with a 10 m Leoni Dacar 302 cable interconnect.

COILCRAFT CONFIDENTIAL