

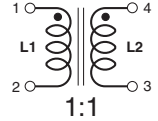
Coupled Inductors



Key

2.5	0.05
Isat (A)	DCR (Ohms)

- 1 Find your required inductance in the far left column.
- 2 Scan the row until you find the desired current rating (bold number); parts from there to the right meet your requirement.
- 3 Read up to see the Coilcraft product series and dimensions.



	Actual size	Actual size	Actual size	Actual size	Actual size	Actual size	Actual size	Actual size	Actual size	Actual size	Actual size	Actual size	Actual size	Actual size	Actual size	Actual size
	PFD2015 Shielded	PFD3215 Shielded	LPD3015 Shielded	LPD5010 Shielded	1812DPS Shielded	LPD4012 Shielded	LPD5030 Shielded	LPD5030V Shielded	LPD6235 Shielded	LPD8035V Shielded	MSD7342 Shielded	MSD1048 Shielded	MSD1260T Shielded	MSD1278T Shielded	MSD1583 Shielded	MSD1514 Shielded
Base (mm)	2.2 × 1.5	3.3 × 2.3	3.0 × 3.0	4.8 × 4.8	5.8 × 5.0	3.94 × 3.94	4.8 × 4.8	4.8 × 4.8	6.0 × 6.0	7.9 × 6.4	7.5 × 7.5	10.3 × 10.3	12.3 × 12.3	12.3 × 12.3	15.0 × 15.0	15.0 × 15.0
Height (mm)	1.4	1.5	1.4	0.9	3.8	1.1	2.9	2.9	3.5	3.5	4.6	4.8	6	8.1	8.6	14.2
Inductance																
0.33 µH							5.6	0.042								
0.39 µH		2.40	0.070	3.4	0.071											
0.56 µH			2.8	0.079				3.9	0.087	6.03	0.031					
0.68 µH					2.8	0.070										
0.82 µH								3.4	0.100	5	0.038					
1.0 µH	1.3	0.165	1.65	0.123	2.2	0.129	2.2	0.100	2.4	0.2	4.67	0.042				
1.5 µH					1.8	0.204	1.8	0.150								
1.8 µH	1	0.294	1.30	0.250	1.6	0.273			2.91	0.185	4.3	0.048				
2.2 µH			1.15	0.265	1.6	0.3	1.6	0.200	1.5	0.33	2.50	0.235	3.4	0.067		
2.5 µH	0.88	0.477														30.5
3.3 µH	0.77	0.67	0.90	0.335	1.2	0.337	1.3	0.270					2.00	0.320	2.8	0.077
4.7 µH	0.6	1	0.80	0.442	0.88	0.503	1.1	0.400	1.5	0.41	1.90	0.500	2.2	0.111	1.90	0.322
5.6 µH							0.94	0.450					1.70	0.620	1.9	0.125
6.8 µH	0.47	1.75	0.70	0.600	0.79	0.622	0.87	0.530	1.55	0.395	3.12	0.12	3.9	0.07	8.64	0.048
8.2 µH	0.42	2.5			0.78	0.700			1.30	0.600			3.5	0.075	7.98	0.052
10 µH	0.37	3.4	0.55	1.25	0.6	1.04	0.70	0.780	0.8	0.74	1.10	0.750	1.2	0.21	1.30	0.490
12 µH																
15 µH																
18 µH																
22 µH																
27 µH																
33 µH																
39 µH																
47 µH																
56 µH																
68 µH																
82 µH																
100 µH																
120 µH																
150 µH																
180 µH																
220 µH																
270 µH																
330 µH																
390 µH																
470 µH																
560 µH																
680 µH																
820 µH																
1000 µH																
1500 µH																
2000 µH																

- Isat is the sum of the current flowing in both windings. DCR is the maximum per winding.
- When windings are connected in parallel, inductance is the same value and DCR is half the value shown.
- When windings are connected in series, inductance is four times the value and DCR is twice the value.

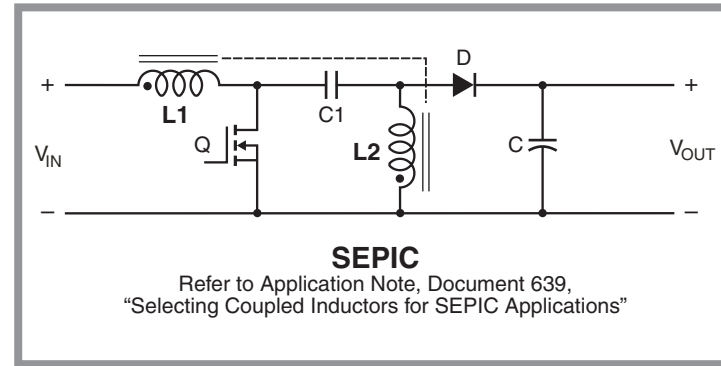
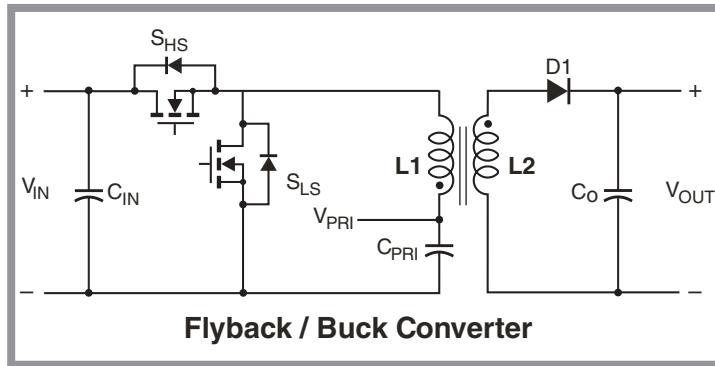
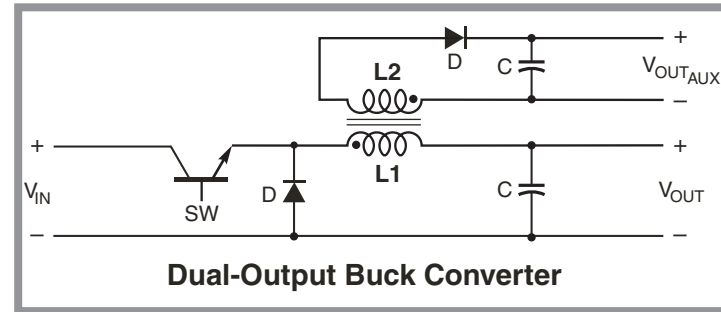
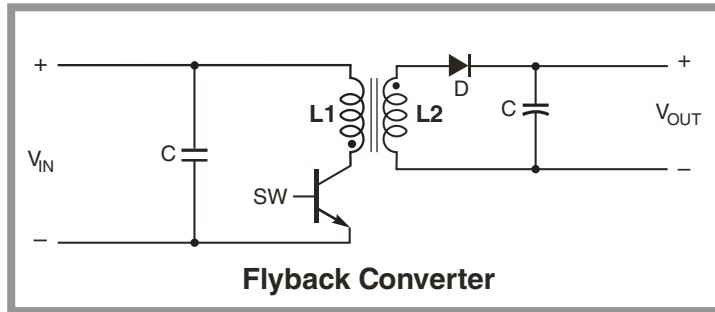
* High-isolation, 1500 Vrms, one minute isolation (hipot) between windings.

For free evaluation samples or more information, visit www.coilcraft.com or call 800-322-2645.

Typical Applications

Coupled inductors are ideal for use in a variety of circuits including flyback, multi-output buck and SEPIC. They can also be used as common mode chokes. These parts offer excellent coupling coefficient ($k \geq 0.98$); and provide a wide range of inductance values, high efficiency and excellent current handling. In SEPIC topologies, the required inductance for each winding is half the value needed for two separate inductors, allowing selection of a part with lower DCR and higher current handling.

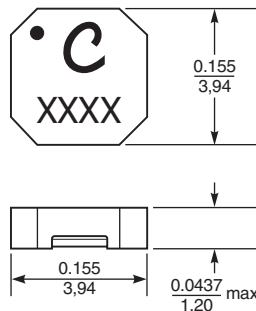
Typical Application Schematics



Coilcraft coupled inductors are also available with a variety of turns ratios.

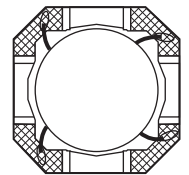
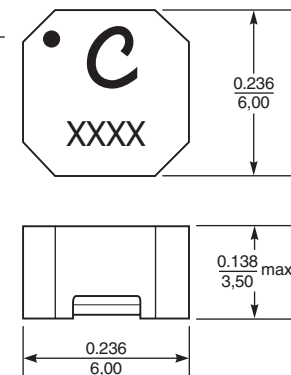
Part number	Turns ratio
LPR4012-202AMR	1 : 1.5
LPR4012-202BMR	1 : 2
LPR4012-202DMR	1 : 3
LPR4012-202LMR	1 : 10
LPR4012-103BMR	1 : 2
LPR4012-103DMR	1 : 3
LPR4012-223BMR	1 : 2
LPR4012-223DMR	1 : 3

For complete specifications, visit
www.coilcraft.com/lpr4012.cfm



Part number	Turns ratio
LPR6235-253LMR	1 : 10
LPR6235-253PMR	1 : 20
LPR6235-123QMR	1 : 50
LPR6235-752RMR	1 : 90
LPR6235-752SMR	1 : 100

For complete specifications, visit
www.coilcraft.com/lpr6235.cfm



The LPR4012 and LPR6235 series are in stock and available for immediate sampling and purchase. The LPR3010, LPR3015, LPR5010 and LPR5030 series are made to order. Visit www.coilcraft.com/LPR.cfm for details.